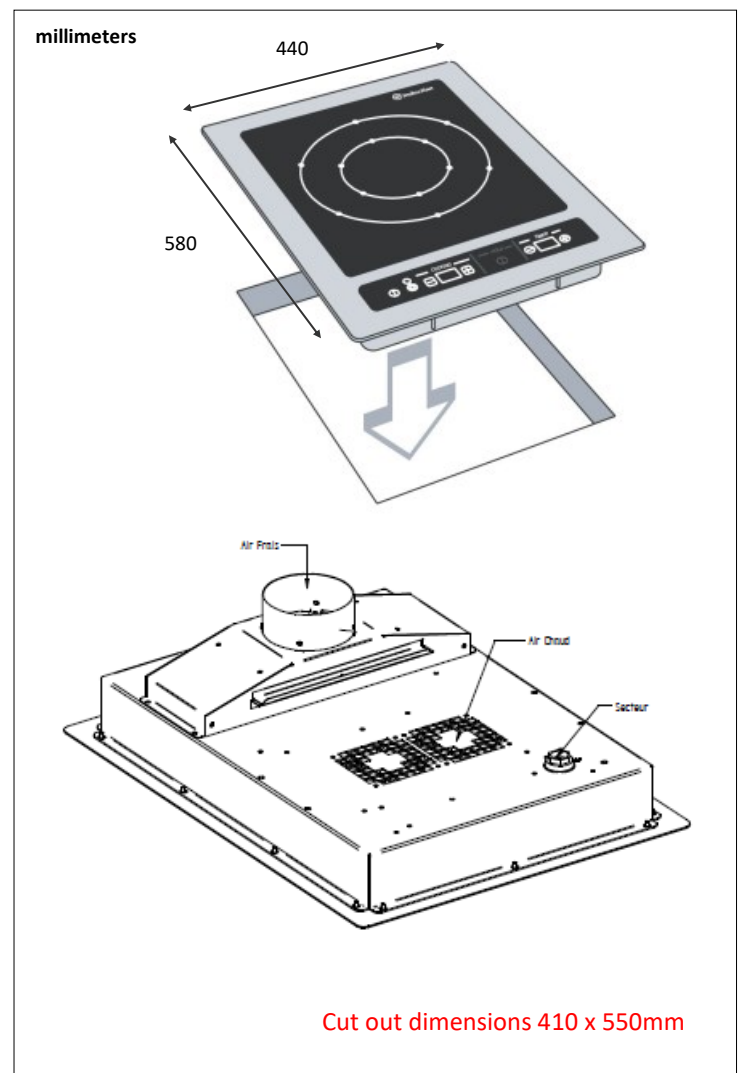


## TECHNICAL FEATURES

<b>External structure</b>	AISI 304 stainless steel
<b>Dimensions</b>	580 x 440
<b>Power</b>	3600W
<b>Cooking surface</b>	Vitroc ceramic glass.
<b>Control panel</b>	Capacitive touches control panel
<b>Amp</b>	16 A
<b>Functions</b>	<p>On/Off, manual power (watts or power level) and temperature (°C or F°) setting (+/-) with 4 digits display, 2 presets and 99 minutes timer control with 2 digits display.</p> <p>Temperature display from 30 to 140°C.</p> <p>Quality pan control function</p> <p>Lockable panel control.</p>
<b>Power supply</b>	<p>230V;</p> <p>208/240 V</p> <p>AC 50 - 60 Hz</p>
<b>Weight</b>	9,5 kg / 20,5lbs.
<b>Standards</b>	Complies with European standards for safety of electrical appliances.
<b>Details &amp; Options</b>	Including a power cord and a washable filter (wash regularly).



**ADVENTYS**  
 Route de Pagny - 21250 Seurre - France  
[www.adventys.com](http://www.adventys.com)  
[sales@adventys.com](mailto:sales@adventys.com)  
 T: +33 3 80 20 46 15

### Important note

Adventys reserves the right to modify specifications without notice.